

Haugen

Work Platforms

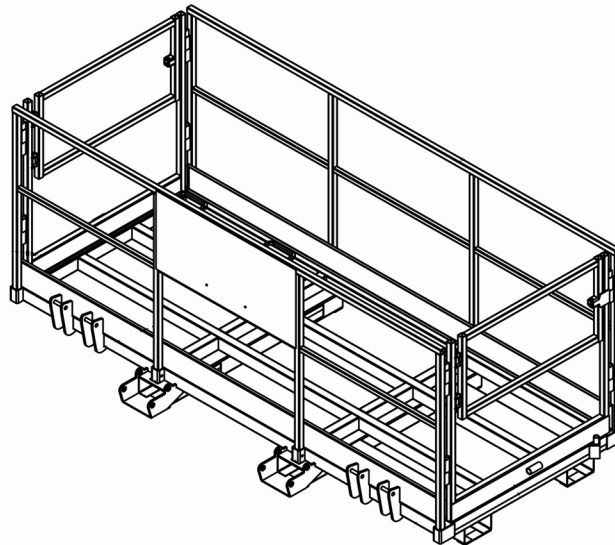
(Model # MWP 4x4)

(Model # MWP 4x6)

(Model # MWP 4X8)

(Model # MWP 4x116)

- **Operators Manual**
- **Warning Stickers**
- **ANSI Standards**



Haugen

Marv Haugen Enterprises

1851 Heartland Ave.

Casselton, ND 58012

Toll Free 877-580-6218

Phone: 701-347-4827 Fax: 701-347-4830

Haugen

Marv Haugen Enterprises
1851 Heartland Ave
Casselton, ND 58012
Toll Free 877-580-6218
Phone: 701-347-4827 Fax: 701-347-4830

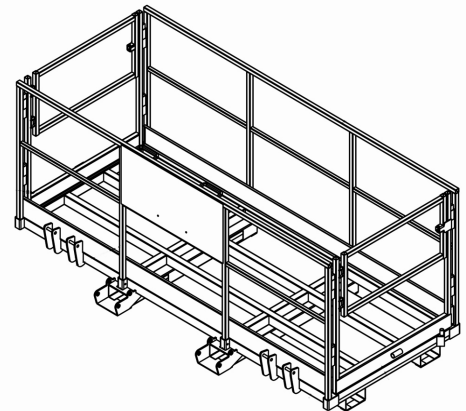
Document Includes

Operator's Manual and Safety Instructions For: - Industrial Work Platforms

- * *Copy of Marv Haugen Enterprises Product Liability Insurance is available upon request*
- * *Copy of our complete Professional Engineering certification is available upon request*

Work Platforms are designed to elevate personnel and small tools using extendable reach forklifts or rough terrain mast style forklifts. Note: All mast style forklifts require our high back mesh back rest that prevents accidental contact with the mast.

All Haugen Work Platforms are built to meet or exceed the OSHA requirements as defined by the ANSI/ITSDF B56.6-2016 Safety Standards for Rough Terrain Forklifts and the ANSI B56.1-2016 for Lift Trucks. The Work Platform is in compliance with the CSA B335.



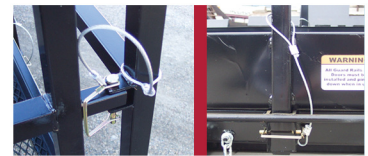
Haugen Work Platforms exceed the structural requirements that allow us to rate the Work Platforms at 1000 lbs capacity. The Work Platforms guard railings and safety restraint tiedowns have been designed to meet the engineering requirements list in the ANSI B56.6-2016. Operator's should consult their forklift manual to assure that the forklift being used has the necessary capacity and that the Telehandler or Rough terrain forklift being used allows the use of Work Platforms.

Maximum Platform length can be 10 inches past each side of the load bearing tires. Therefore a machine with a 8 foot load bearing width or greater can use a 116" wide Platform (Model # MWP 4X116). To use our 8 foot Platform (Model # MWP 4x8) the machine must have a minimum load bearing width of 76 inches. When equipped, outriggers should be used for increased stability.

Before each use of the Platform

- Read and understand the operators manual before using the Work Platform. Make sure the forklift operator has been trained and is familiar with the attachment and the forklift. The operator must be aware of all the safety regulations
- Before each use check the Platform for any damage or missing safety items. Make sure the Platform is free of any broken welds, excessive rust, bent railings or any missing hardware or pins. Repair or replace these items before using. Also do a complete inspection of the host machine.

- Install all of the guardrailings and secure all of the safety pins for each railing and gate section. If any pins are missing replace immediately.



- Know your capacity. The Work Platform is rated for a max of 1000 lbs for men and material. The combined weight of the platform, men and material must not exceed 1/3 of the lift trucks maximum allowable load capacity at the related load center position (24”), within any load zone on the applicable load chart . If the Lift trucks capacity at a certain position is 6000 lbs, the new maximum load capacity is $6000\text{lbs}/3 = 2000\text{ lbs}$. Never exceed the rated capacity of the Work Platform or the capacity of the Lift Truck.

- Always follow the guidelines and the intended use of platforms on Telehandlers as outlined in the ANSI B56.6-2016 guidelines and this manual.

- Secure the work platform to the telehandler. Insert the fork tines all the way into the fork pockets. Install the steel pin behind the heel of each fork tine using the hitch pin to secure it. Make sure it is a good fit and securely attaches the platform to the fork carriage. Always use both fork pockets and center the tines on the carriage.

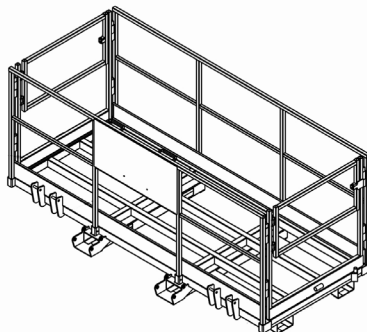


Note: The Shipping pockets are for shipping and loading on trailers. Never use shipping pockets to lift personnel or material.

- Tilt cylinders or swing cylinders on Telehandler carriages must be disabled before use.

Before each use of the Platform continued

- Make sure the Platform is the right size for the Telehandler. The Platform width must never exceed the width of the load bearing tires plus 10” on each side.
- Add up the weights of any materials, tools and personnel. Make sure that the total weight does not exceed the work platforms capacity or the lift trucks capacity at the lift position required.
- Establish a communication system between personnel in the Platform and the Forklift operator. Mark off the area to warn people of work by elevated personnel.
- Establish a plan for each lift so that everyone knows the task being performed and make sure all procedures are followed and understood by all personnel.
- Inspect each lifting site for the Lift Truck/Telehandler. Make sure the intended lifting area is level and solid. Look for soft conditions or anything that could make the forklift unstable. Avoid operating in any conditions that are not level or secure.
- Look up for any obstructions, electrical wires, powerlines or anything that would obstruct the Platform or Boom. If any are present move the obstructions or plan a different location before lifting personnel.
- Attach your lanyard or safety harness to the bar marked “Safety Restraint Tie Down” on the backside of the Work Platform.
- There must be a certified Lift Truck operator in the cab of the forklift to lift and lower the personnel. The operator must remain in the Lift Truck at all times when there are personnel in the Work Platform. However they cannot drive the Forklift under any conditions with personnel in the Work Platform. The machine should be in neutral with the parking brake set.



General Safety Rules - During use

1. Make sure to close and pin both entry doors before elevating personnel. All guardrailings must be in place and pinned. Never climb or use the guardrailings as ladders.
2. The forklift operator must remain at the controls at all times. The operator should set the parking brake and remain alert paying attention to the personnel and the enviroment around them.
3. Plan your lift and get the forklift in position before lifting any personnel. When ever personnel ask for adjustments. Do them slowly and safely. If moving the machine is required you must lower all the way down and let the personnel out of the platform and then make the required adjustments.
4. All personnel must wear OSHA approved safety lanyards and attach to the safety restraint tie downs located on the back side of the work platform. Never attach more than one person to each restraint.
5. Do not overload the platform or the forklift. The combined weight of the platform and the load (material and personel - maximum 1000 lbs.), shall not exceed one-third of the capacity of the rough terrain forklift at the related load center position as indicated on the forklift capacity chart.
6. On Fork mounted Platforms be sure to install the steel pin in the fork channel behind the heel of the fork using the hitch pin to secure it. Be sure all of the locking mechanisms are secure.
7. Work Platforms should always be level or rolled back, never tilted forward. Forklifts must always be level when using a platform
8. Personnel should only enter the Work Platform when it is in the final working location. It should never be used to transport personnel.



Marv Haugen Enterprises
1851 Heartland Ave
Casselton, ND 58012
Toll Free 877-580-6218
Phone: 701-347-4827 Fax: 701-347-4830

General Safety Rules - continued

9. All guard rails must be in place and pinned when in use. They may be collapsed for transport.
10. Check for overhead hazards before elevating personnel.
11. Make sure to have an excellent communication system between the operator and the personnel being elevated.
12. Warn all other workers that elevated personnel are working in the area.
13. Never use a ladder or risers in a Work Platform.
14. Maximum number of Work Platform occupants must not exceed 4 people on models MWP 4x116 and MWP 4x8. Model MWP 4x6 should not exceed 2 people
15. Refer to the lift trucks operators manual for other safety tips and regulations.

Safety Parts Check List

1. Manual Tube and the proper safety stickers (detailed later in this manual).
2. Fork Pocket pins are chained to each fork pocket and are held in with a pin.
3. Safety pins are cabled to each center post on the front and back rail.
(2 on the front rail and 2 on the back rail, 4 total)
4. Door latch pin is cabled to each door frame. (1 per door)
5. Safety pin for each end gate is cabled to each door frame. (2 per frame)
6. Extra Gate safety pin. (1 on each side)

If parts are damaged or missing order replacements before using the platform
To order replacements parts call 877-580-6218



Marv Haugen Enterprises
1851 Heartland Ave
Casselton, ND 58012
Toll Free 877-580-6218
Phone: 701-347-4827 Fax: 701-347-4830

Haugen Work Platform Features

1. Complies with ANSI/ITSDF B56.1-2016, B56.6-2016, Safety Standards for Rough Terrain Forklifts and CSA B335
2. Steel mesh floor is capped on both ends to avoid sharp edges.
3. Each guardrail and midrail shall withstand a concentrated test load of 1000 N (225 lbs) applied at any point in any direction without visible deformation.
4. The Work Platform is designed with a structural safety factor of not less than 2 to 1 for ductile materials and 5 to 1 for nonductile materials used for all supporting structural elements and personnel work platform attachments means.
5. Toe kicks are flush with the floor and are 6 inches high.
6. All guardrails are collapsible for ease transportation. They are also capped eliminating sharp corners and water pockets.
7. Doors swing inwards and are pinned to assure that they are closed and strong.
8. End Gate structures are pinned in place and have an extra safety pin that goes through the floor.
9. Safety restraint tie downs are welded to the base and are engineered for 3600 lbs. capacity. There is one for each person allowed in the platform.
10. Shipping pockets are for shipping and loading on to trailers. Never use shipping pockets for raising personnel or materials.
11. All safety pins and latch pins are either chained or cabled to the platform so they do not fall off or get lost.
12. All platforms have the proper safety and capacity stickers. A copy of this manual is stored on the unit in a waterproof manual holder.

Lift Truck Requirements for Canada

The following are requirements relating to the lift trucks being used with the Work Platforms.

- The lift truck used to support a work platform must meet requirements of CSA Standard B335-04 Safety standard for lift trucks. (Note: CSA Standard B335-04 incorporates the design and construction requirements of ANSI/ASME B56.1 Safety Standard for Low Lift and High Lift Trucks and ANSI/ASME B56.6 Safety Standard for Rough Terrain Forklift Trucks, so a lift truck manufactured to meet the applicable ANSI standard meets the requirements of CSA Standard B335-04.)
- The lift truck must be in good working order with all controls and functions operating in accordance with the manufacturer's specification, the requirements of the applicable safety standard, and the OHSR.
- Forks must be secured against tilting and dislodgement.
- There must be means to prevent the work platform and carriage from rotating and pivoting.
- If the lift truck uses a hydraulic or pneumatic system to raise the fork carriage, the system must be equipped to prevent unintended descent of the carriage in excess of 0.6 metres per second in the event of a hydraulic or pneumatic line failure.

Use Requirements

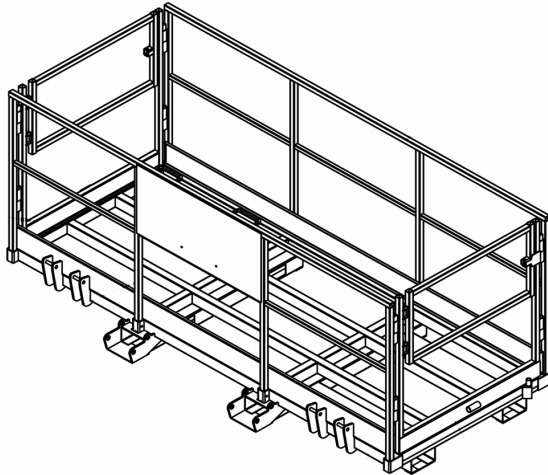
The following use requirements were taken directly from WorkSafeBC Standard 13.30
“Work Platform supported by Lift Trucks”

- The instructions from the manufacturer or designer relating to the safe use of the Work Platform must be available in the work place.
- The lift truck and work platform must be in good condition and in compliance with the OHSR prior to the use of the system to raise personnel.
- The lift truck must be operated by a qualified operator authorized by the employer to use the lift truck to raise personnel in the work platform.
- The work platform must be secured to the forks or fork carriage in the manner specified by the work platform manufacturer or professional engineer.

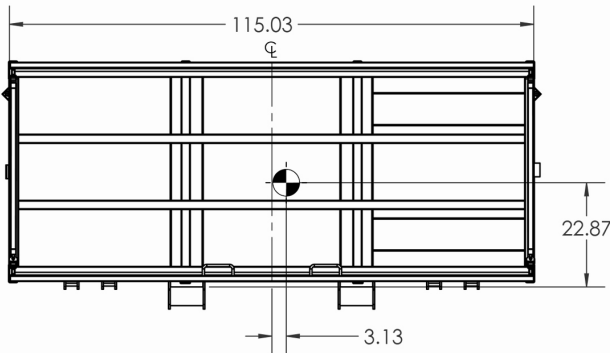
Use Requirements - continued

- If the carriage of the lift truck can rotate or pivot, these functions must be disabled to prevent the work platform and carriage from rotating and pivoting.
- A trial lift must be performed at each task location immediately prior to raising personnel in the work platform to ensure the lift truck can be positioned on an appropriate supporting surface, there is sufficient reach to position the work platform to allow the task to be done, and the mast is vertical or the boom travels vertically. The tilt function for the mast may be used to assist with final positioning of the work platform at the task location but the mast must travel in a vertical plane. The trial lift must ensure adequate clearance can be maintained between the work platform and the elevating mechanism of the lift truck and any surrounding object such as a structure, overhead obstruction, storage rack, scaffold, and from any other hazard such as energized wires and equipment.
- The weight of the work platform plus the maximum rated load for the work platform must not exceed one half the rated capacity of a high lift truck or one third the rated capacity of a rough terrain forklift truck for the reach and configuration being used.
- A system of communication between the work platform occupants and the lift truck operator must be implemented to control work platform movement. If there is more than one occupant on the work platform, one person on the work platform must be designated to be the primary person to signal the lift truck operator regarding the work platform movement requests. If hand and arm signals are not the main communication method, a system of hand and arm signals must be developed as an alternative in the event the primary voice or other electronic communication means becomes ineffective during work platform use.
- The work platform must be lowered to floor or grade level before a person gets on or leaves the platform.
- Personnel must not be transported in the work platform, including between task locations.
- If the work platform does not have guardrail or equivalent protection on all sides, each work platform occupant must use an appropriate personal fall protection system secured to a designated anchor point on the work platform.
- Platform occupants must work from the platform surface and not stand on the guardrails or use other devices to increase the effective working height of the work platform.
- Whenever the work platform is occupied, the lift truck operator must remain within 3 metres (10 feet) of the lift truck controls and in visual contact with the lift truck and work platform and in communication with the platform occupants.

Down Rated Load Charts for Work Platforms

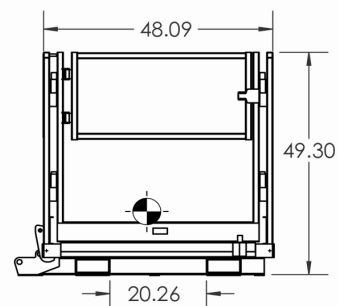
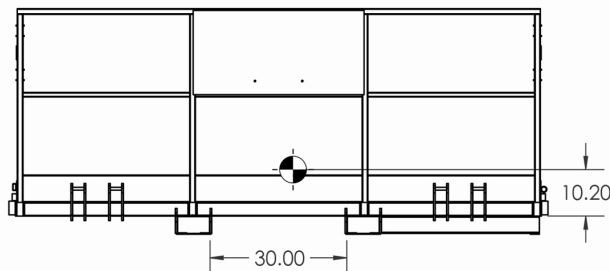


Haugen Work Platforms have a max capacity total of 1000 lbs. They are designed for Telehandlers and Lift Trucks. If the manufacturer of the Telehandler or Lift Truck approves the use of Work Platforms on their machines. The following information can be used to supply a down rated load chart for any specific Lift Truck that allows the use of Work Platforms.



If the Forklift manufacturer refuses to supply a load chart, but does allow the use of personnel work platforms. A specific chart can be purchased from Marv Haugen Enterprises. This chart will be certified by a Professional Engineer and will be engineered for the specific work platform in combination with the specific lift Truck.

Model	Size	HCOG	VCG	Empty Weight
MWP 4x4	4x4	22.87"	10.20"	410 lbs
MWP 4x6	4x6	22.87"	10.20"	460 lbs
MWP 4x8	4x8	22.87"	10.20"	545 lbs
MWP 4x116	4x9'8"	22.87"	10.20"	590 lbs



Work Platform Stickers for all Work Platforms

WARNING

**Fall Protection
is required**

**Use the Safety Restraint Tie
Downs provided on the
back of the Platform**

One on the back of each Work Platform

WARNING

**Work Platforms are
Manufactured to meet or exceed
ANSI Safety Standards for Rough
Terrain Forklift Trucks**

**(ANSI Standard # B56.6-2016)
(CSA B335)**

One on the back of each Work Platform

WARNING

**Gate Safety Pin
Must be installed
during use**

One on the back of each Work Platform

WARNING

**Four Person
Maximum**

One on the back of each Work Platform
4x8 and the 4x116

WARNING

**All Guard Rails and
Doors must be
installed and pinned
down when in use**

One on the back of each Work Platform

WARNING

**Two Person
Maximum**

One on the back of the 4x6 Work Platform

Haugen

Marv Haugen Enterprises
1851 Heartland Ave.
Casselton, ND 58012
Toll Free 877-580-6218
Phone: 701-347-4827 Fax: 701-347-4830

Haugen ATTACHMENTS <i>Manufactured by:</i> Marv Haugen Enterprises P.O. Box 868 Casselton, ND 58012 Web: www.haugenattachments.com Phone: 701-347-4827 Made in USA	<i>Model Number</i> []	<i>Serial #:</i> []	<i>Horizontal Center of Gravity</i> []
	<i>Empty Weight</i> []	<i>MFG. Date</i> []	<i>Vertical Center of Gravity</i> []
	<i>Max Capacity (with men and material)</i> []	<i># of Personnel MAX.</i> []	<i>Fork Tine Length MIN.</i> [] <i>MAX.</i> []
	<i>Capacity of the rough terrain forklift truck and personnel work platform combination may be less than the capacity shown on the personnel work platform. Refer to the load capacity chart for the rough terrain forklift truck and personnel work platform combination. Manufactured in compliance with the ANSI/ITSDF B56.6-2016</i>		

Data tags are rivoted to the base of the Work Platforms

WARNING

**Maximum Capacity
1000 LBS
(Personnel & Material)**

* These lift capacity ratings are for the Work platform only. The lifting capacity is ultimately determined by the host machine. Never lift more than the operating capacities of this Work Platform or the capacities stated by the Manufacturer of the host machine.

One on the back of each Work Platform

WARNING **Shipping Pockets are for shipping purposes only
Never use to transport personnel or material**

One on the end of the Platform above the shipping pockets

Safety Restraint Tie Downs (One person per Anchor)

(2) One by each tie down

Work Platform Safety Guidelines

During use of the Platform

1. Make sure to close and pin both entry doors before elevating personnel. All guardrailings must be in place and pinned. Never climb or use the guardrailings as ladders.
2. The forklift operator must remain at the control at all times. The operator should set the parking brake and remain alert paying attention to the personnel and the environment around them
3. Plan your lift and get the forklift in position before lifting any personnel. Whenever personnel ask for adjustments. Do them slowly and safely. If moving the machine is required you must lower all the way down and let the personnel out of the platform and then make the required adjustments.
4. All personnel must wear OSHA approved safety lanyards and attach to the safety restraint tie downs located on the back side of the Work Platform. Never attach more than one person to each restraint.
5. Do not overload the platform or the forklift. The combined weight of the platform and the load (material and personnel - maximum 1000 lbs.), shall not exceed one-third of the capacity of the rough terrain forklift at the related load center position as indicated on the forklift capacity chart.
6. On Fork mounted Platforms be sure the steel pin is installed behind the heel of the fork using a hair pin to secure it. Be sure all of the locking mechanisms are secure.
7. Work Platforms should always be level or rolled back, never tilted forward. Forklift must always be level when using a platform
8. Personnel should only enter the Work Platform when it is in the final working location. It should never be used to transport personnel.
10. Check for overhead hazards before elevating personnel.
11. Make sure to have an excellent communication system between the operator and the personnel being elevated.
12. Warn all other workers that elevated personnel are working in the area.
13. Never use a ladder or risers in a Work Platform.
14. Maximum number of Work Platform occupants must not exceed 4 people on models MWP 4x116 and MWP 4x8. Model MWP 4x6 should not exceed 2 people
15. Refer to the lift trucks operators manual for other safety tips and regulations.

Models: MWP4x6, MWP 4x8, MWP 4x116

MWP-DU

Work Platform Safety Guidelines

Before each use of the Platform

- Read and understand the operators manual before using the Work Platform. Make sure the forklift operator has been trained and is familiar with the Attachments and the Forklift. The operator must be aware of all the safety regulations.
- Before each use check the Platform for any damage or missing safety items. Make sure the Platform is free of any broken welds, excessive rust, bent railings or any missing hardware or pins. Repair or replace these items before using. Also do a complete inspection of the host machine.
- Install all of the guardrailings and secure all of the safety pins for each railing and gate section. If any pins are missing replace immediately.
- Know your capacity. The Work Platform is rated for a max of 1000 lbs for men and material. The combined weight of the platform, men and material must not exceed 1/3 of the lift trucks maximum allowable load capacity at the related load center position (24"), within any load zone on the applicable load chart . If the Lift trucks capacity at a certain position is 6000 lbs, the new maximum load capacity is $6000\text{lbs}/3 = 2000$ lbs. Never exceed the rated capacity of the Work Platform or the capacity of the Lift Truck.
- Always follow the guidelines and the intended use of platforms on Telehandlers as outlined in the ANSI B56.6-2016 guidelines and this manual.
- Secure the work platform to the telehandler. Insert the fork tines all the way into the fork pockets. Install the steel pin behind the heel of each fork tine using the hitch pin to secure it. Make sure it is a good fit and securely attaches the platform to the fork carriage. Always use both fork pockets and center the tines on the carriage.
Note: The Shipping pockets are for shipping and loading on trailers. Never use shipping pockets to lift personnel or material.
- Tilt cylinders or swing cylinders on Telehandler carriages must be disabled before use.
- Make sure the Platform is the right size for the Telehandler. The Platform width must never exceed the width of the load bearing tires plus 10" on each side.
- Add up the weights of any materials, tools and personnel. Make sure that the total weight does not exceed the work platforms capacity or the lift trucks capacity at the lift position required
- Establish a communication system between personnel in the Platform and the Forklift operator. Mark off the area to warn people of work by elevated personnel.
- Establish a plan for each lift so that everyone knows the task being performed and make sure all procedures are followed and understood by all personnel.
- Inspect each lifting site for the Lift Truck/Telehandler. Make sure the intended lifting area is level and solid. Look for soft conditions or anything that could make the forklift unstable. Avoid operating in any conditions that are not level or secure.
- Look up for any obstructions, electrical wires, powerlines, anything that would obstruct the Platform or Boom. If any are present move the obstructions or plan a different location before lifting personnel
- Attach your lanyard or safety harness to the bar marked Safety Restraint Tie Downs on the backside of the Work Platform.
- There must be a certified Lift Truck operator in the cab of the forklift to lift and lower the personnel. The operator must remain in the Lift Truck at all times when there are personnel in the Work Platform. However they cannot drive the Forklift under any conditions with personnel in the Work Platform. The machine should be in neutral with the parking brake set.

Models: MWP4x6, MWP 4x8, MWP 4x116

MWP-BU

Marv Haugen Enterprises • 1851 Heartland Ave • Casselton, ND 58012
www.haugenattachments.com • 1-701-347-4827

One on the inside Work Platform

WARNING

Host Machine Minimum Lifting Capacity

MWP 4x6 Platform weight ----- 460 lbs (208 kg) ----- Loaded at 1000 + 460 = 1460 lbs (662 kg)

The standards require Vertical Mast Forklifts to have a minimum lifting capacity of 2X the combined max capacity plus the weight of the platform and Telescopic Boom machines are required to have a minimum lifting capacity of 3X the combined max capacity plus the weight of the Platform

Vertical mast host machines must have a rated capacity of:

- 2 x 1460 lbs = 2920 lbs (1324 kg) with the MWP 4x6 attached

Telescopic Boom host machines must have a rated capacity of:

- 3 x 1460 lbs = 4380 lbs (1986 kg) with the MWP 4x6 attached

Please refer to the machines load chart for specific weight capacities in different lifting regions.

WARNING

Host Machines minimum load bearing wheels must be 52" wide to operate this Work Platform

(Model # MWP 4x6)

WARNING

Empty Weight of the Work Platform (460 LBS)

(Model # MWP 4x6)

One each on the back of each MWP 4x6 Work Platform

WARNING

Host Machine Minimum Lifting Capacity

MWP 4x8 Platform weight ----- 545 lbs (247 kg) ----- Loaded at 1000 + 545 = 1545 lbs (700 kg)

The standards require Vertical Mast Forklifts to have a minimum lifting capacity of 2X the combined max capacity plus the weight of the platform and Telescopic Boom machines are required to have a minimum lifting capacity of 3X the combined max capacity plus the weight of the Platform

Vertical mast host machines must have a rated capacity of:

- 2 x 1545 lbs = 3090 lbs (1401 kg) with the MWP 4x8 attached

Telescopic Boom host machines must have a rated capacity of:

- 3 x 1545 lbs = 4635 lbs (2102 kg) with the MWP 4x8 attached

Please refer to the machines load chart for specific weight capacities in different lifting regions.

WARNING

Empty Weight of the Work Platform (545 LBS)

(Model # MWP 4x8)

WARNING

Host Machines minimum load bearing wheels must be 76" wide to operate this Work Platform

(Model # MWP 4x8)

One each on the back of each MWP 4x8 Work Platform

WARNING

Host Machine Minimum Lifting Capacity

MWP 4x116 Platform weight ----- 590 lbs (267 kg) ----- Loaded at 1000 + 590 = 1590 lbs (721 kg)

The standards require Vertical Mast Forklifts to have a minimum lifting capacity of 2X the combined max capacity plus the weight of the platform and Telescopic Boom machines are required to have a minimum lifting capacity of 3X the combined max capacity plus the weight of the Platform

Vertical mast host machines must have a rated capacity of:

- 2 x 1590 lbs = 3180 lbs (1442 kg) with the MWP 4x116 attached

Telescopic Boom host machines must have a rated capacity of:

- 3 x 1590 lbs = 4770 lbs (2163 kg) with the MWP 4x116 attached

Please refer to the machines load chart for specific weight capacities in different lifting regions.

WARNING

Host Machines minimum load bearing wheels must be 96" wide to operate this Work Platform

(Model # MWP 4x116)

WARNING

Empty Weight of the Work Platform (590 LBS)

(Model # MWP 4x116)

One each on the back of each MWP 4x116 Work Platform

Haugen

Marv Haugen Enterprises
1851 Heartland Ave.
Casselton, ND 58012
Toll Free 877-580-6218
Phone: 701-347-4827 Fax: 701-347-4830



Haugen